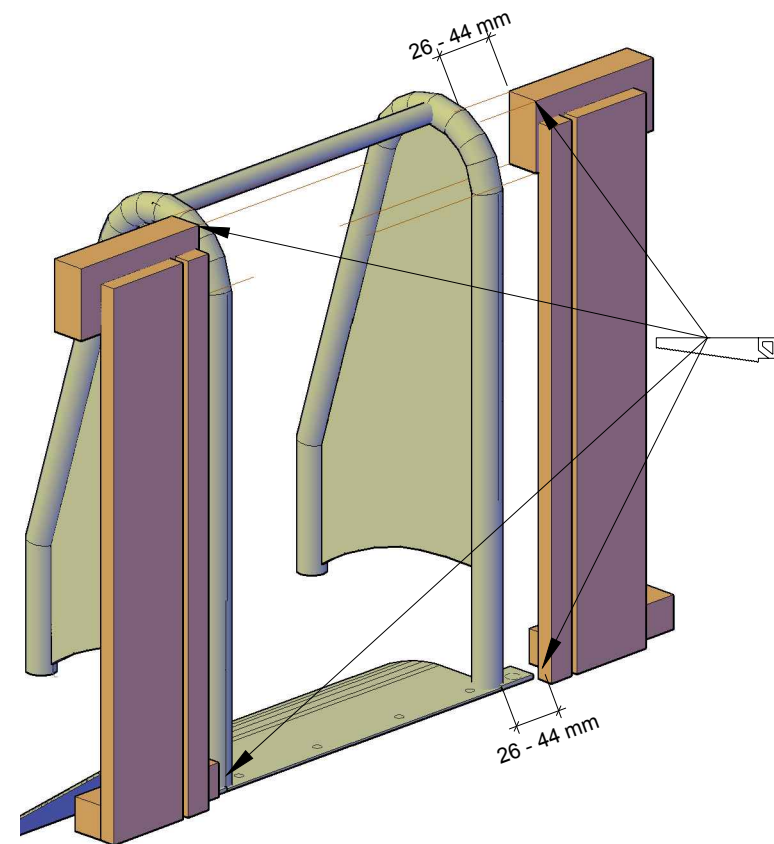
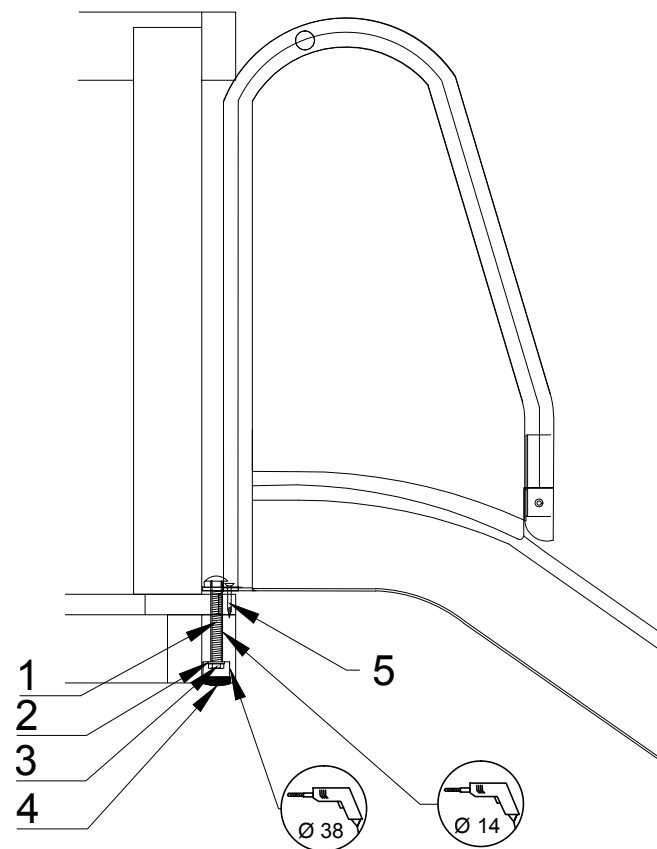
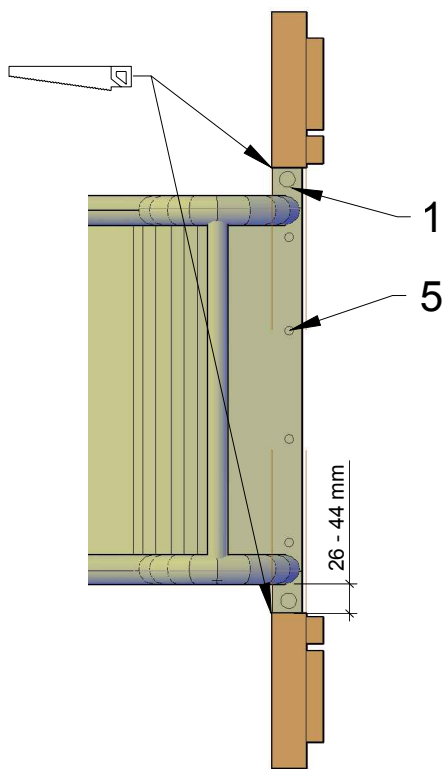


NORLEG	
Mont.p. nr. 52	
LE -	
05.03.2010	REV. B: 26.05.2016



Parts list		
POS	PARTS NO	NAME/DIMENSION
1	LE 16019	M12x120 mm A2 DIN 603
2	LE 16168	M12 A2 DIN 125A
3	LE 16098	M12 A2 DIN 985
4	LE 16556	DPC 42 ø 38,1 mm
5	LE 16181	5x40 mm ASSY 3,0

This drawing is the property of NORLEG and pursuant to current legislation may not be copied, transferred to or used by any third party. Should this drawing be used, a fee of 10% of the assumed contract price will be charged.